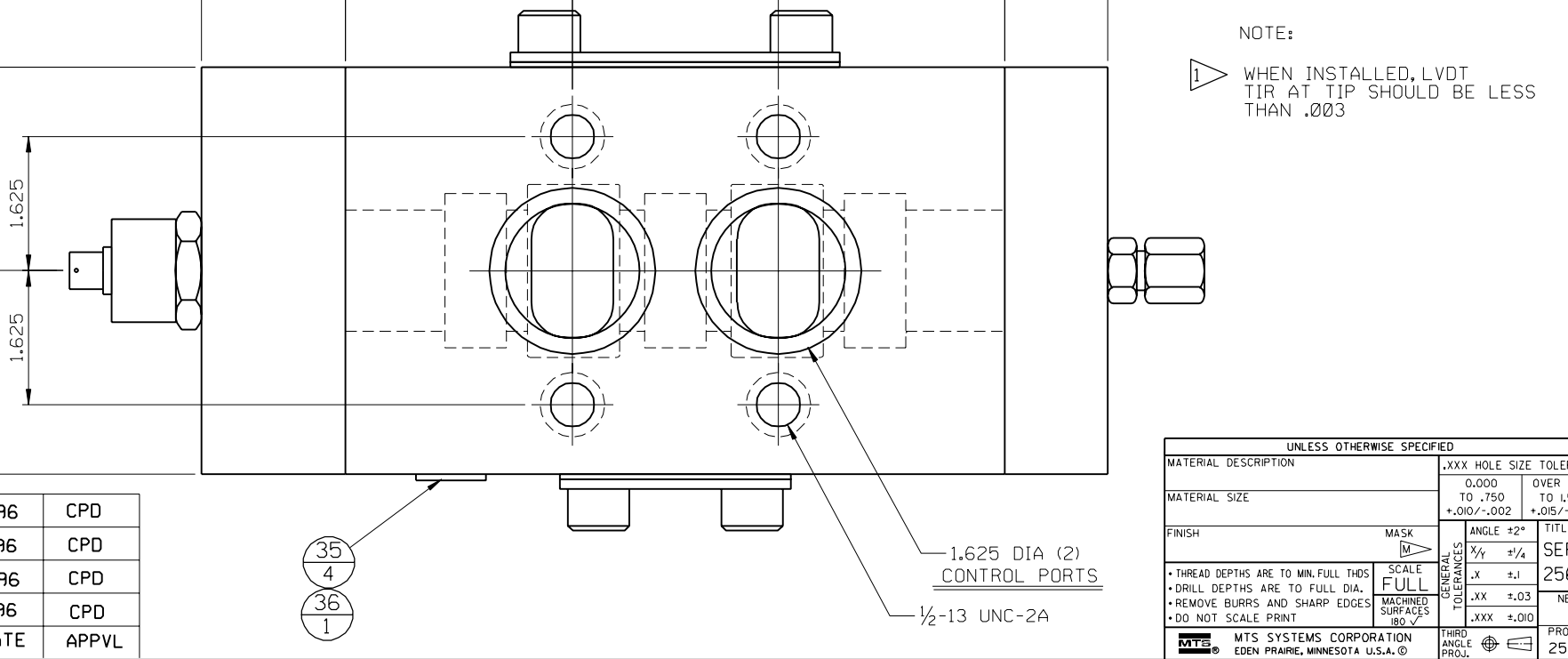


PART NO	REV	MODEL NO	PILOT VALVE	SEAL MATL	NOTES	DATE	APPVL
-04	A	256.25S-00	NONE	BUNA-N	STANDARD BRGS	9/96	CPD
-03	A	256.25S-05	252.23, 5GPM	BUNA-N	STANDARD BRGS	9/96	CPD
-02	A	256.25S-02	252.22, 2.5GPM	BUNA-N	STANDARD BRGS	9/96	CPD
517402-01	A	256.25S-01	252.21, 1GPM	BUNA-N	STANDARD BRGS	9/96	CPD



REVISIONS				
DESCRIPTION	LETTER	DATE	APPVL	REC NO.

SOURCE/REF. DRAWINGS

PROPRIETARY DATA

The information and designs disclosed herein are the property of MTS Systems Corporation and may not be used, reproduced or disclosed in any form except as granted in writing by MTS Systems Corporation. This restriction excludes information that is in the public domain or was legitimately in the prior possession of the recipient.

UNLESS OTHERWISE SPECIFIED			
MATERIAL DESCRIPTION	.XXX HOLE SIZE TOLERANCE	DRAWN	CHECK
MATERIAL SIZE	0.000 TO .750 +.010/-.002	RAS	DATE
FINISH	OVER .750 TO 1.500 +.015/-.003	DATE	8/96
MASK	ANGLE ±2°	TITLE	ENGR
SCALE FULL	1/4 ±1/4	SERVOVALVE ASSY-256.25 SPCL	CPD
GENERAL TOLERANCES	.XX ±.03	NEXT LEVEL	DATE
MACHINED SURFACES 180°	.XXX ±.010	SIZE	NUMBER
THIRD ANGLE PROJ.	PRODUCT CODE	D	517402-XX
MTS SYSTEMS CORPORATION EDEN PRAIRIE, MINNESOTA U.S.A. ©	25625X	REV	SEE TAB
			SHEET 1 OF 1